

Pro Lighting

FS350-10B

LED Follow Spot 350W, 10 degree ,IP20, Black Shell



User manual

Please read the instructions carefully before use

TABLE OF CONTENTS

INSTRUCTION

DESCRIPTION OF THE DEVICE

1. Profile
2. Overview
3. Specification data
4. Photographic chart
5. Safety warning

Warning

Note

INSTALLATION

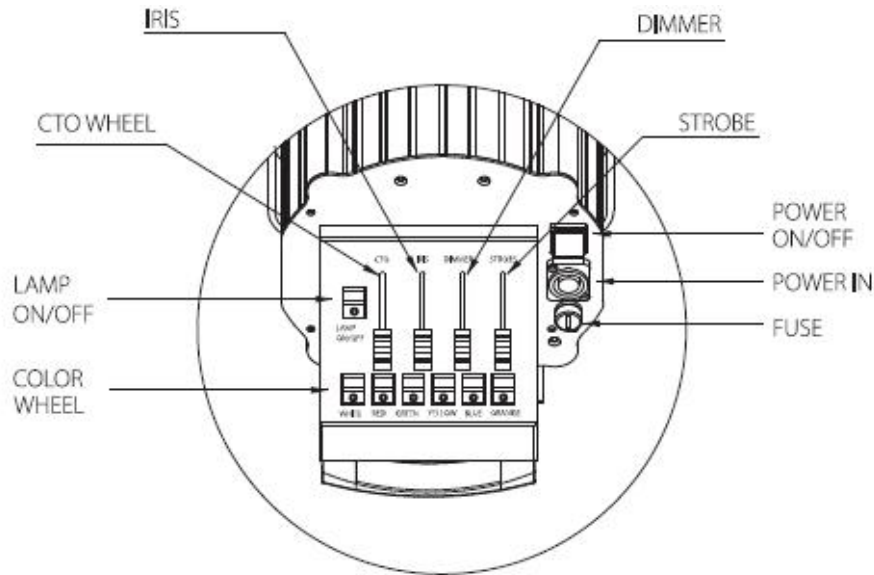
1. Installing
2. Connection with mains
3. Replacing fuse
4. Focus

OPERATION

APPENDIX

Problem and solution

Operation



APPENDIX

Problem and solution

Problem	Reason	Resolution
Device not work	No power	AC 100V-240V,50HZ/60HZ Check the power connection, and make sure device connect the mains in well condition. Check if switch is on Check if the fuse is good
LED bulb off	led bulb damaged	Replacing led bulb
	led driver board damaged	Replacing led driver board
	temperature switch damaged	Replacing temperature switch
Fans not work	Fans damaged	Replacing fans

Caution:

- Unqualified person involved with installation, operation and maintenance of this device is prohibited.
- If any above mentioned problem happened, or unknown problem happened, please contact manufacturer or distributor for assistance.
- Please use qualified stand, and make sure the stand can withstand more than ten times the weight of device.

2.Connection with mains

- The person involved with the power connection must be qualified, and has the electronic engineering certificate.
- Connect the device to the mains with the power plug.
- The earth has to be connected.
- Power consumption 450W, input power supply AC100V-240V,50/60Hz.

3.Replacing fuse

●Before replacing the fuse, unplug mains lead.

●Procedure:

Step 1:Unscrew the fuseholder on the rearpanel with a fitting screwdriver from the housing (anti-clockwise).

Step 2:Remove the old fuse from the fuseholder.

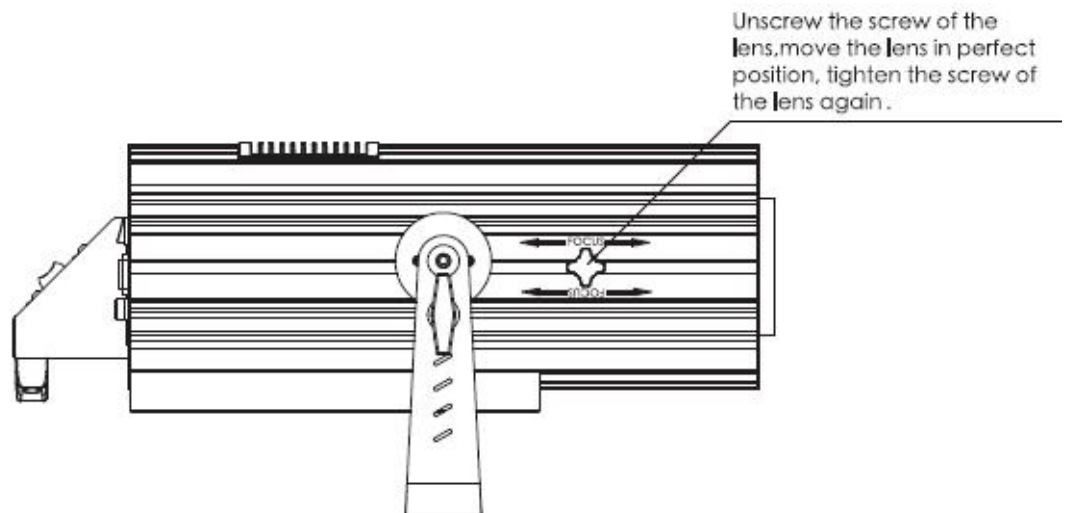
Step 3:Install the new fuse in the fuseholder.

Step 4:Replace the fuseholder in the housing and fix it.

4.Focus

●The objective lens cylinder is usually shrieked before leaving factory, after connect the projector to the mains, user may loose the screws and pull out the lens cylinder, till the white light output circular is clearly presented, locking tightly the two screws again.

●When the projection distance is changed, user can follow previous operation steps, and focus the projector.



INTRODUCTION

Thank you for having chosen a led follow spot 350 You will see you have acquired a powerful and versatile device.

Unpack your led follow spot 350

Delivery includes

Mounting holder 1PC

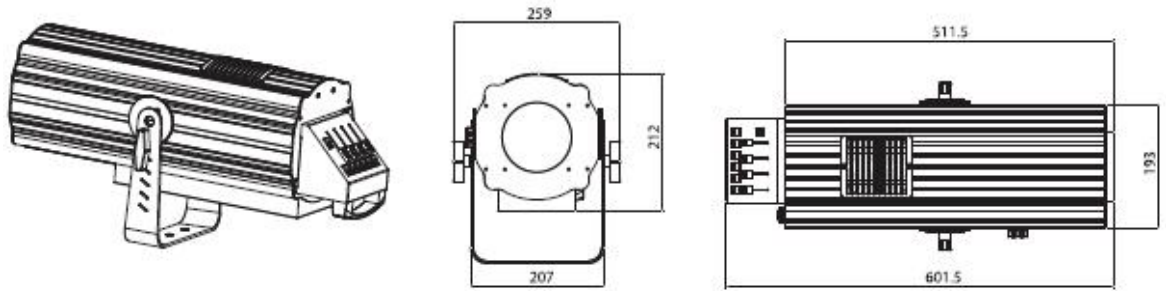
Power wire 1PC

DESCRIPTION OF THE DEVICE.

1. Profile

With the idea of energy saving and environment protection, the device use lower power loss and extremely high efficiency led. The device housing cover is made of used the new high strength heat resistance engineering plastics, with beautiful shaped and smooth lines. The designing and manufacturing is compliance with IEC standard. The device is suitable in the large-scale theatrical performance, the theater, the performance hall, the bar, night club and so on.

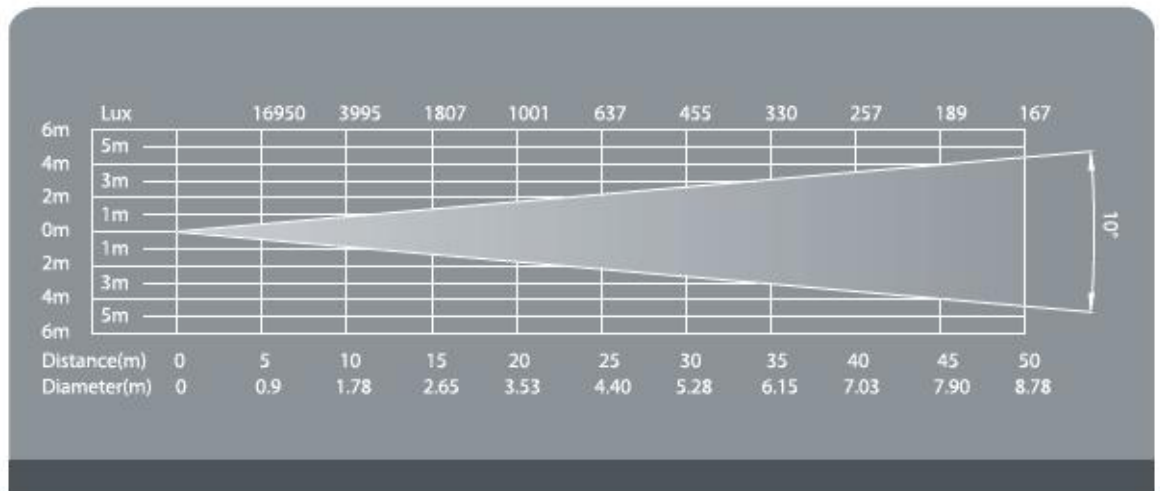
2. Overview



3. Specification

- Power Supply: AC100-240V, 50/60Hz
- Power supply: Auto Switching Power Supply
- Power Consumption: Max. 450W
- LEDs: COB 350W, Cool White
- LED Color Temperature: 8000K-8500K
- Light output (full Bright): 1,000Lux@20mtr; 256Lux@40mtr
- LED Lifespan: >50,000 hours
- Color Rendering Index(CRI): Ra>76
- Beam Angle: 10°
- Max. Projection Distance: 45-50m
- Control Mode: Manual
- 1 color wheel: 5 dichroic colors + open
- Rainbow effect at variable speeds in bi-directions
- Electronic Strobe: 1-20 flashes/second
- 1 CTO wheel: 3 color temp (3200K/4500K/5600K)
- Electronic Dimmer: 0-100% linear dimmer
- Manual focus
- Electronic iris: 5-100% linear adjustment
- Cooling: forced air convection, with 3 fans
- Thermal management system ensures long life of LEDs
- Power In: blue powercon
- Housing: stretching aluminum
- Housing Color: Black
- IP Rating: IP20
- Environment Temp: -30° C-50° C
- with single mounting yoke
- with single handle at the rear
- Dimensions(mm): L660*W295*H270
- Net Weight: 10kg
- Power input cable included, length 1mtr
- Safety cable not included (optional)

4. Photographic chart



5.Safety warning

①Warning:

- Every person involved with the installation, operation and maintenance of this device has to be qualified.
- User must follow the instructions of this manual
- Unqualified person can not open the housing cover and operate the device, or the dealer will not accept liability for any resulting defects or problems.
- The device against rain and moisture

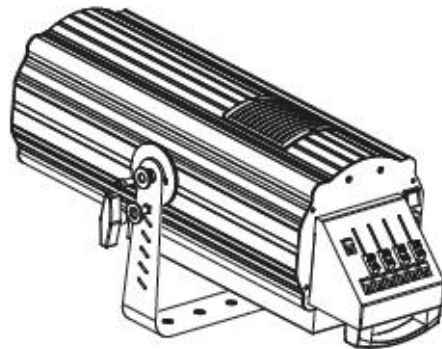
②Warring notes:

- Power supply:AC100V-240V/50Hz-60Hz
- Make sure the power switch is off, the power plug, outlet and the earth connection is in well conduction before connecting the device with the mains.
- Please use qualified power plug and outlet. Never connect the power cord of this device with other electric equipment.
- During move and installation, make sure the device not crashed with metal parts and other tough materials.
- Always disconnect from the mains, when the device is on installation and dismantled.
- The minimum distance between light-output and the illuminated surface must be more than 50cm.
- The device must only be installed on a non-flammable surface. In order to safeguard sufficient ventilation, leave 50 cm of free space around the device. Please note that heat- sensitive objects may be deformed or damaged by the emitted heat.
- During the operation the housing becomes very hot! Do not operate the device for 15 minutes after switching off.
- The maximum ambient temperature $T_a=45^{\circ}\text{C}$ must never be exceeded. The maximum housing temperature $T_b=60^{\circ}\text{C}$ must never be exceeded.
- For indoors use.
- Replace any visible cracked protective shield, filters and lens.
- The protective shield, filters and lens will require weekly cleaning as smoke "Cfluid tends to building up esidues, reducing the light" Coutput very quickly.

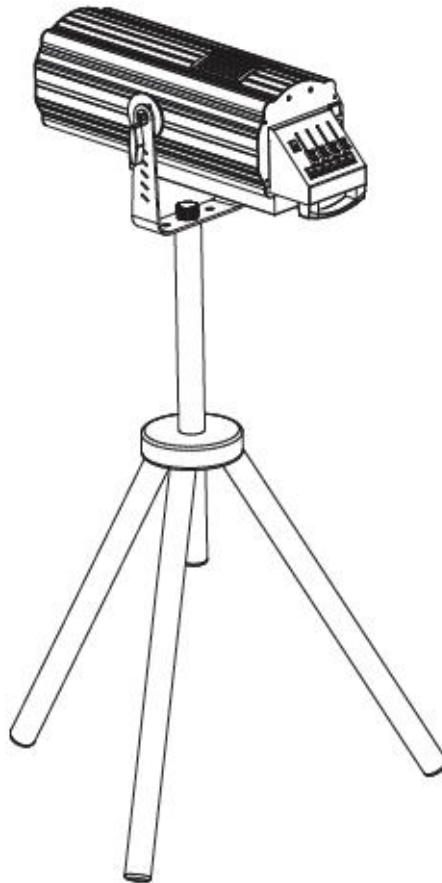
INSTALLATION

1. Instalation

- When installation, keep the device far away the heat sensitive objects and explosives sensitive objects, leave at least 50CM of free space around the device.
- When install devices, please first fix the mounting holder on the device, as shown in the figure.



- Then put the device on the stand, make sure that the stand must be placed on the ground smoothly, and tighten all the fasteners.



Enjoy your product!
Our sincerest thanks for your purchase!